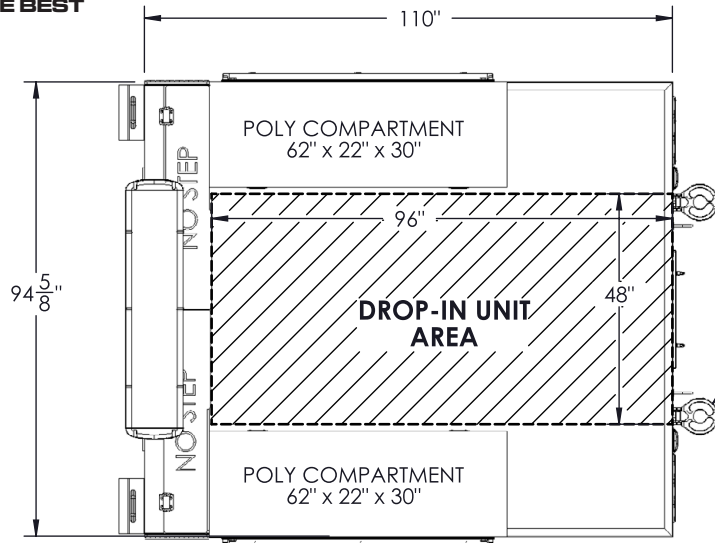




ACCEPT ONLY THE BEST

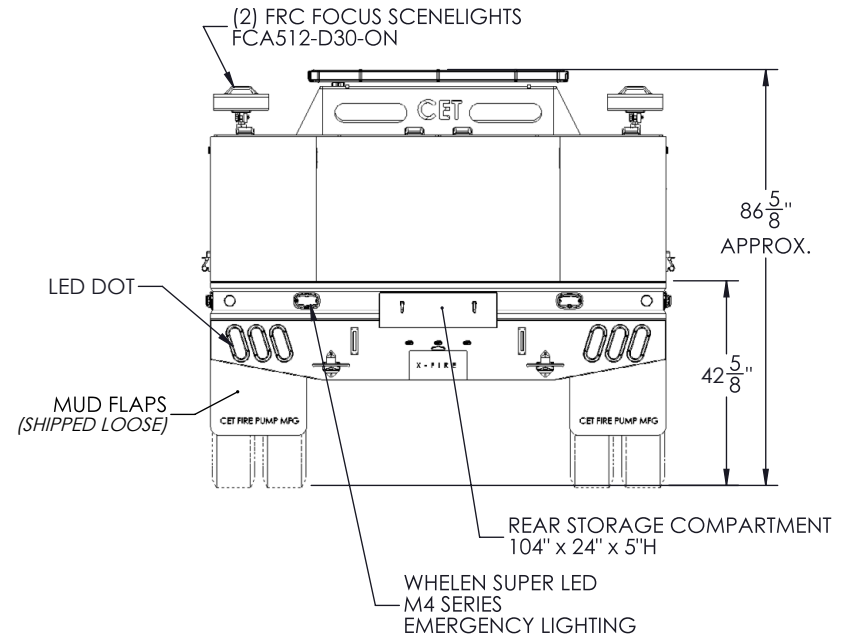
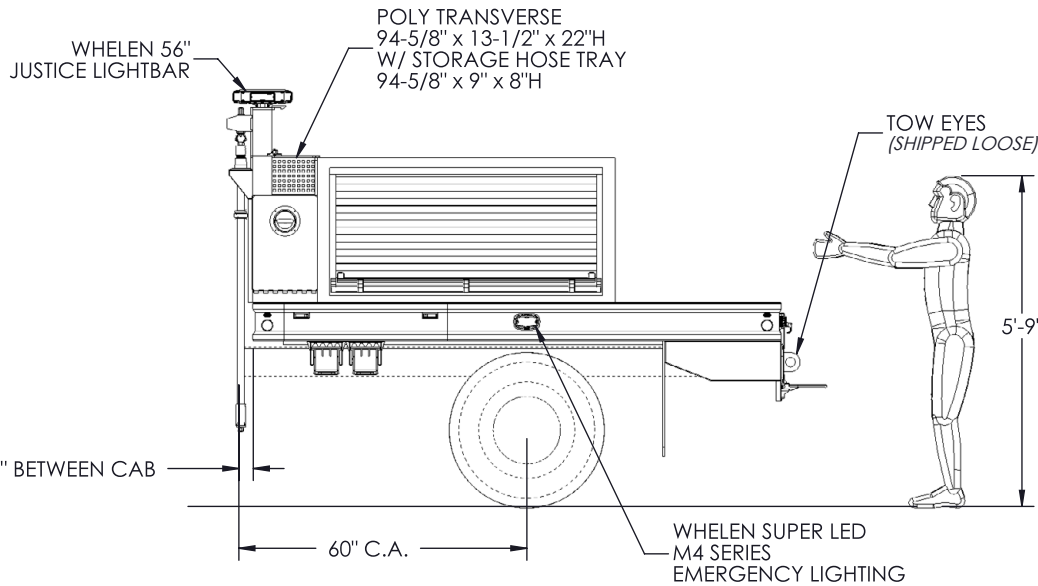
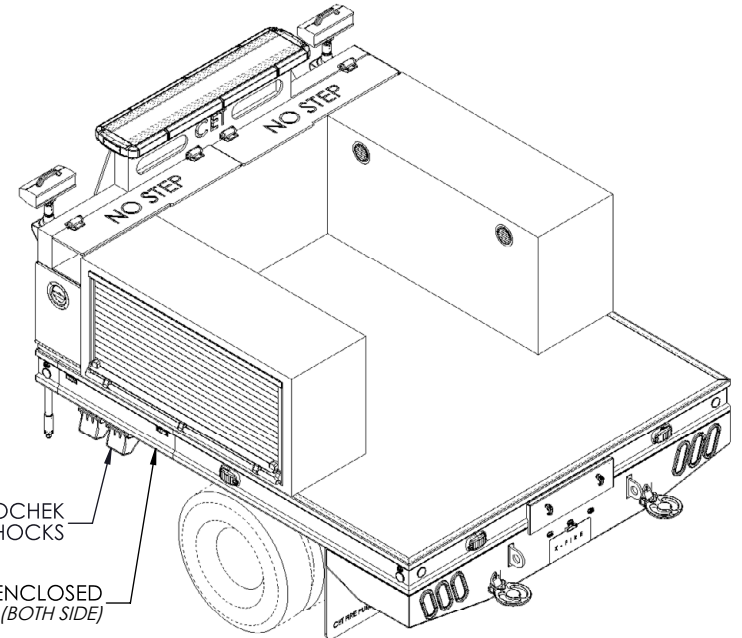
# FA-GLIDER KIT #7-0701



NFPA FOLDING STEPS

KOCHEK WHEEL CHOCKS

INTEGRATED ENCLOSED (BOTH SIDE)



75 Hector St., P.O. Box 90, Pierreville (Québec) Canada J0G 1J0 | Telephone: 1-888-844-2285 | Fax: 1-800-434-2613 | [www.fire-pump.com](http://www.fire-pump.com)

**A CENTURY OF ENGINEERING FOR THE BRAVEST**

\*CET is a trademark of CET Fire Pumps Mfg Ltd.